

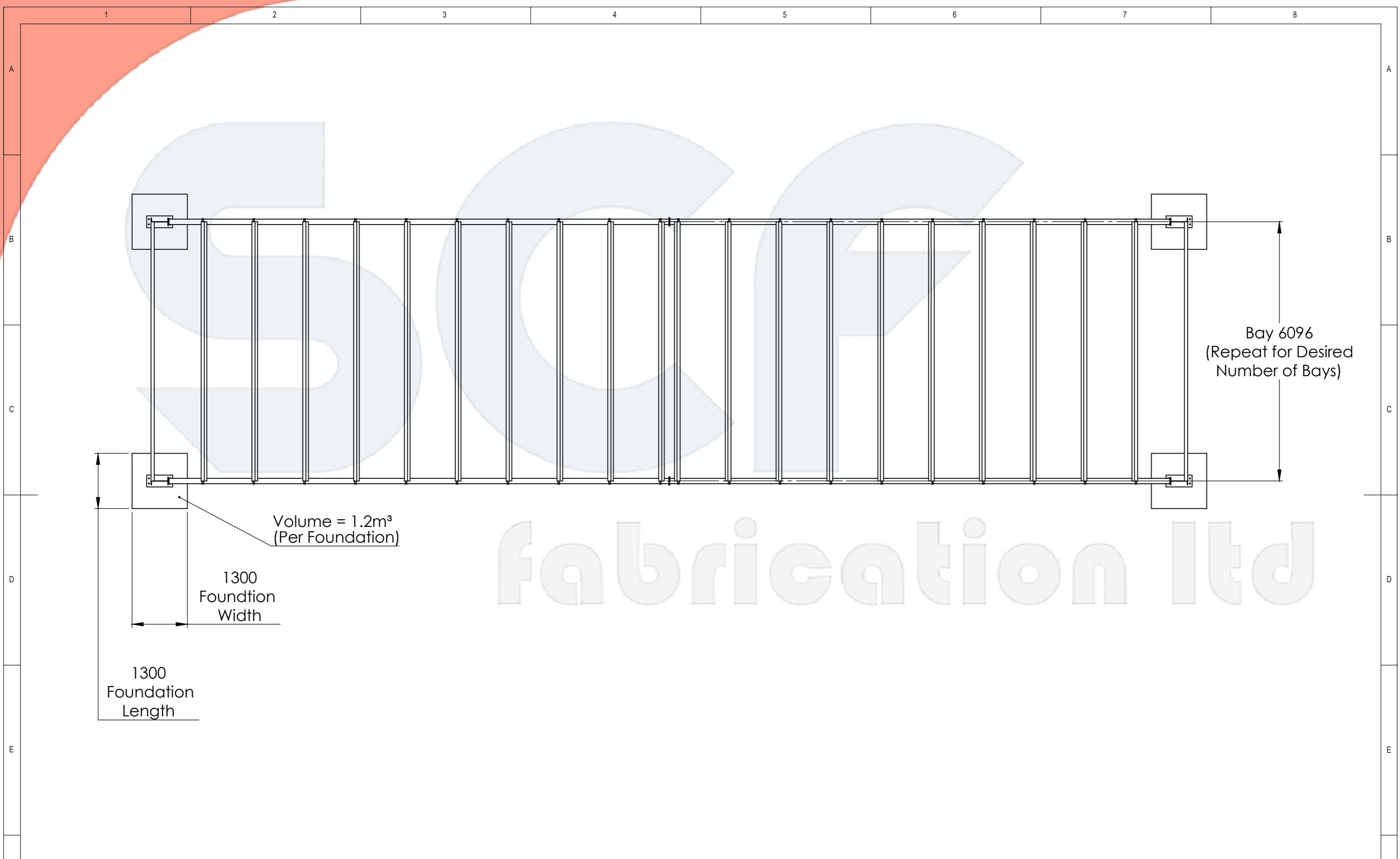
UNLESS OTHERWISE SPECIFIED:  
 DIMENSIONS ARE IN MILLIMETERS  
 MATERIAL: MILD STEEL  
 SURFACE FINISH: CLEAN AND DEBURRED  
 TOLERANCES:  
 LINEAR: ±1.0mm  
 ANGULAR: ±1.0° DEGREES

SCF FABRICATION LTD  
 BROMPTON | DULVERTON | SOMERSET  
 TA22 9NZ | +44 (0) 1398 371347  
 www.scf-fabrication.com

| FIRST ANGLE PROJECTION |    |         |
|------------------------|----|---------|
|                        |    |         |
| DRAWN                  | BY | DATE    |
| CHECKED                | SC | 07FEB19 |
| APPROVED               | SC | 07FEB19 |

| TITLE                          |          |              |
|--------------------------------|----------|--------------|
| <b>20 80 18 - Site Drawing</b> |          |              |
| DRAWN BY                       | REVISION | NOT TO SCALE |
| damienfieldhouse@gmail.com     | 1        |              |
| © SCF FABRICATION LTD 2019     |          | SHEET 1 OF 4 |

| REVISIONS |             |       |         |         |          |
|-----------|-------------|-------|---------|---------|----------|
| REV.      | DESCRIPTION | DRAWN | CHECKED | DATE    | APPROVED |
| 1         | FIRST ISSUE | DJF   | SC      | 07FEB19 | SC       |



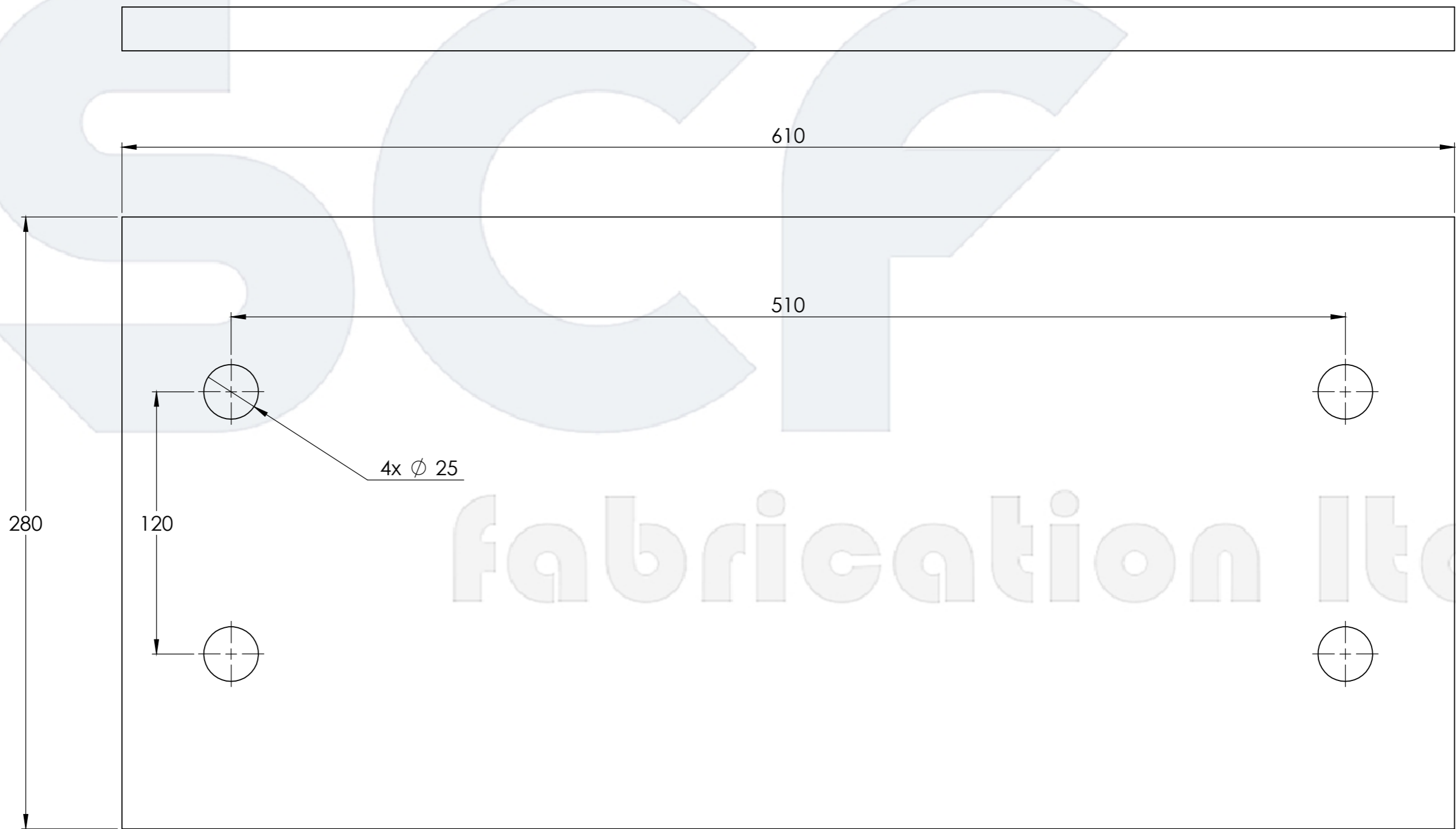
**UNLESS OTHERWISE SPECIFIED:**  
 DIMENSIONS ARE IN MILLIMETERS  
 MATERIAL: MILD STEEL  
 SURFACE FINISH: CLEAN AND DEBURRED  
 TOLERANCES:  
 LINEAR: ±1.0mm  
 ANGULAR: ±1.0° DEGREES

SCF FABRICATION LTD  
 BROMPTON | DULVERTON | SOMERSET  
 TA22 9NZ | +44 (0) 1398 371347  
 www.scf-fabrication.com

| FIRST ANGLE PROJECTION |     |         |
|------------------------|-----|---------|
|                        | BY  | DATE    |
| DRAWN                  | DJF | 07FEB19 |
| CHECKED                | SC  | 07FEB19 |
| APPROVED               | SC  | 07FEB19 |

| TITLE                          |          |              |
|--------------------------------|----------|--------------|
| <b>20 80 18 - Site Drawing</b> |          |              |
| DRAWN BY                       | REVISION | NOT TO SCALE |
| damienfieldhouse@gmail.com     | 1        |              |
| © SCF FABRICATION LTD 2019     |          | SHEET 2 OF 4 |

# Base Plate

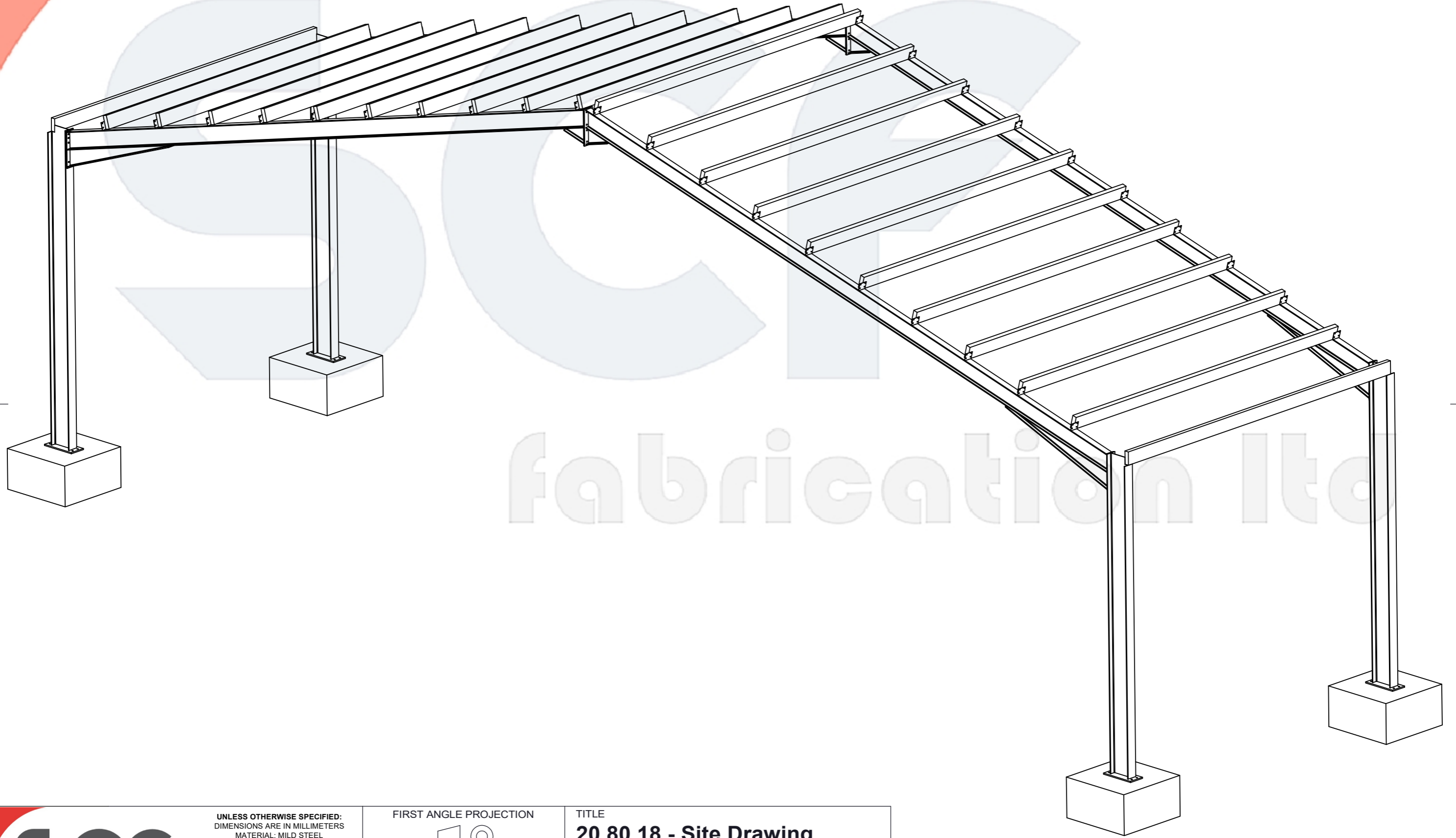


**UNLESS OTHERWISE SPECIFIED:**  
 DIMENSIONS ARE IN MILLIMETERS  
 MATERIAL: MILD STEEL  
 SURFACE FINISH: CLEAN AND DEBURRED  
 TOLERANCES:  
 LINEAR:  $\pm 1.0$ mm  
 ANGULAR:  $\pm 1.0^\circ$  DEGREES

SCF FABRICATION LTD  
 BROMPTON | DULVERTON | SOMERSET  
 TA22 9NZ | +44 (0) 1398 371347  
 www.scf-fabrication.com

| FIRST ANGLE PROJECTION |     |         |
|------------------------|-----|---------|
|                        | BY  | DATE    |
| DRAWN                  | DJF | 07FEB19 |
| CHECKED                | SC  | 07FEB19 |
| APPROVED               | SC  | 07FEB19 |

| TITLE                          |          |              |
|--------------------------------|----------|--------------|
| <b>20 80 18 - Site Drawing</b> |          |              |
| DRAWN BY                       | REVISION | NOT TO SCALE |
| damienfieldhouse@gmail.com     | 1        |              |
| © SCF FABRICATION LTD 2019     |          | SHEET 3 OF 4 |



UNLESS OTHERWISE SPECIFIED:  
 DIMENSIONS ARE IN MILLIMETERS  
 MATERIAL: MILD STEEL  
 SURFACE FINISH: CLEAN AND DEBURRED  
 TOLERANCES:  
 LINEAR: ±1.0mm  
 ANGULAR: ±1.0° DEGREES

SCF FABRICATION LTD  
 BROMPTON | DULVERTON | SOMERSET  
 TA22 9NZ | +44 (0) 1398 371347  
 www.scf-fabrication.com

FIRST ANGLE PROJECTION



|          | BY  | DATE    |
|----------|-----|---------|
| DRAWN    | DJF | 07FEB19 |
| CHECKED  | SC  | 07FEB19 |
| APPROVED | SC  | 07FEB19 |

TITLE

**20 80 18 - Site Drawing**

| DRAWN BY                   | REVISION | NOT TO SCALE |
|----------------------------|----------|--------------|
| damienfieldhouse@gmail.com | 1        |              |

© SCF FABRICATION LTD 2019

SHEET 4 OF 4