

**UNLESS OTHERWISE SPECIFIED:**  
 DIMENSIONS ARE IN MILLIMETERS  
 MATERIAL: MILD STEEL  
 SURFACE FINISH: CLEAN AND DEBURRED  
 TOLERANCES:  
 LINEAR: ±1.0mm  
 ANGULAR: ±1.0° DEGREES

SCF FABRICATION LTD  
 BROMPTON | DULVERTON | SOMERSET  
 TA22 9NZ | +44 (0) 1398 371347  
 www.scf-fabrication.com

FIRST ANGLE PROJECTION

	BY	DATE
DRAWN	DJF	07FEB19
CHECKED	SC	07FEB19
APPROVED	SC	07FEB19

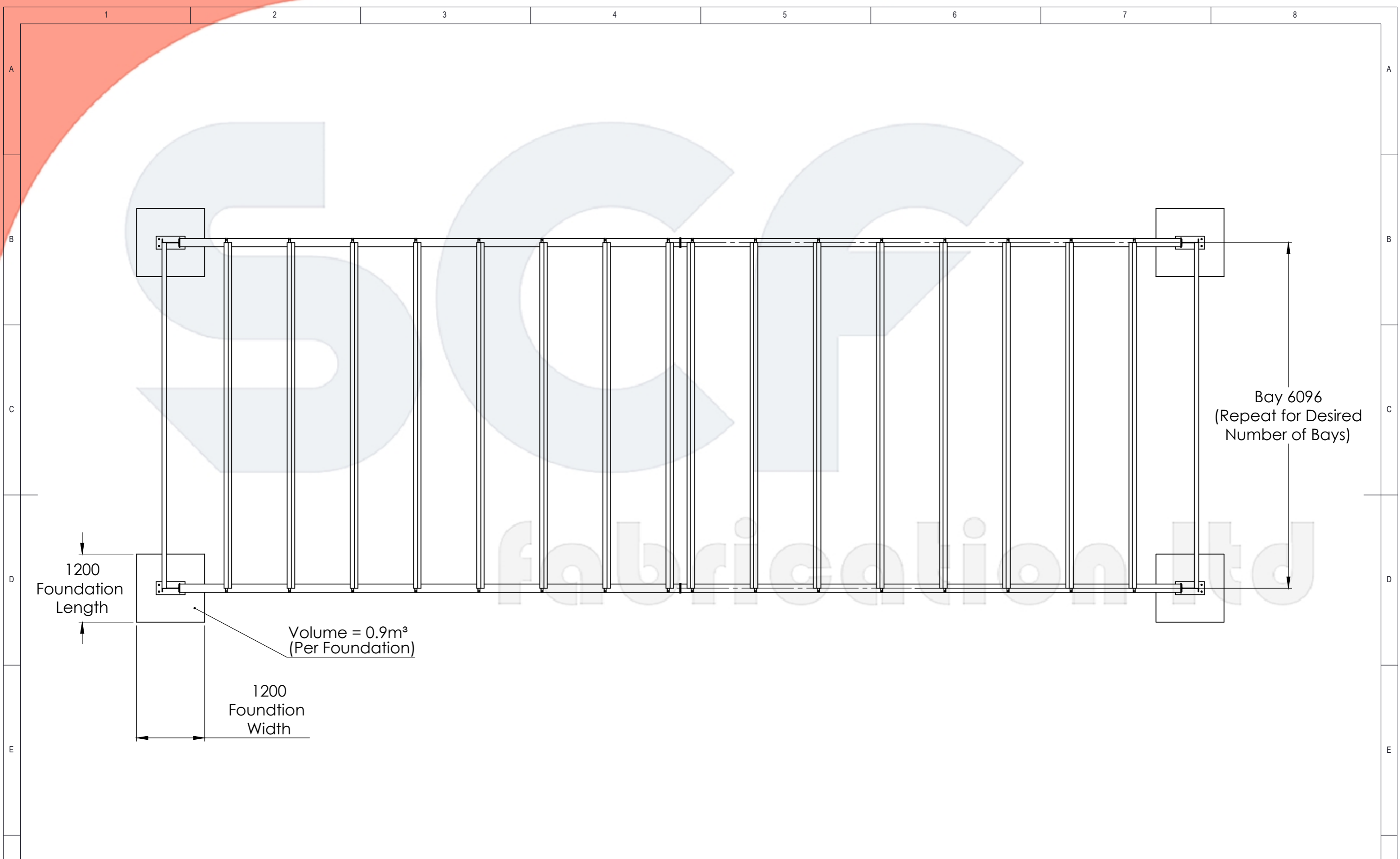
TITLE

**20 60 12 - Site Drawing**

REV.	DESCRIPTION	DRAWN	CHECKED	DATE	APPROVED
1	FIRST ISSUE	DJF	SC	07FEB19	SC

DRAWN BY: damienfieldhouse@gmail.com  
 REVISION 1  
 NOT TO SCALE

© SCF FABRICATION LTD 2019  
 SHEET 1 OF 4



1200  
Foundation  
Length

Volume = 0.9m<sup>3</sup>  
(Per Foundation)

1200  
Foundation  
Width

Bay 6096  
(Repeat for Desired  
Number of Bays)



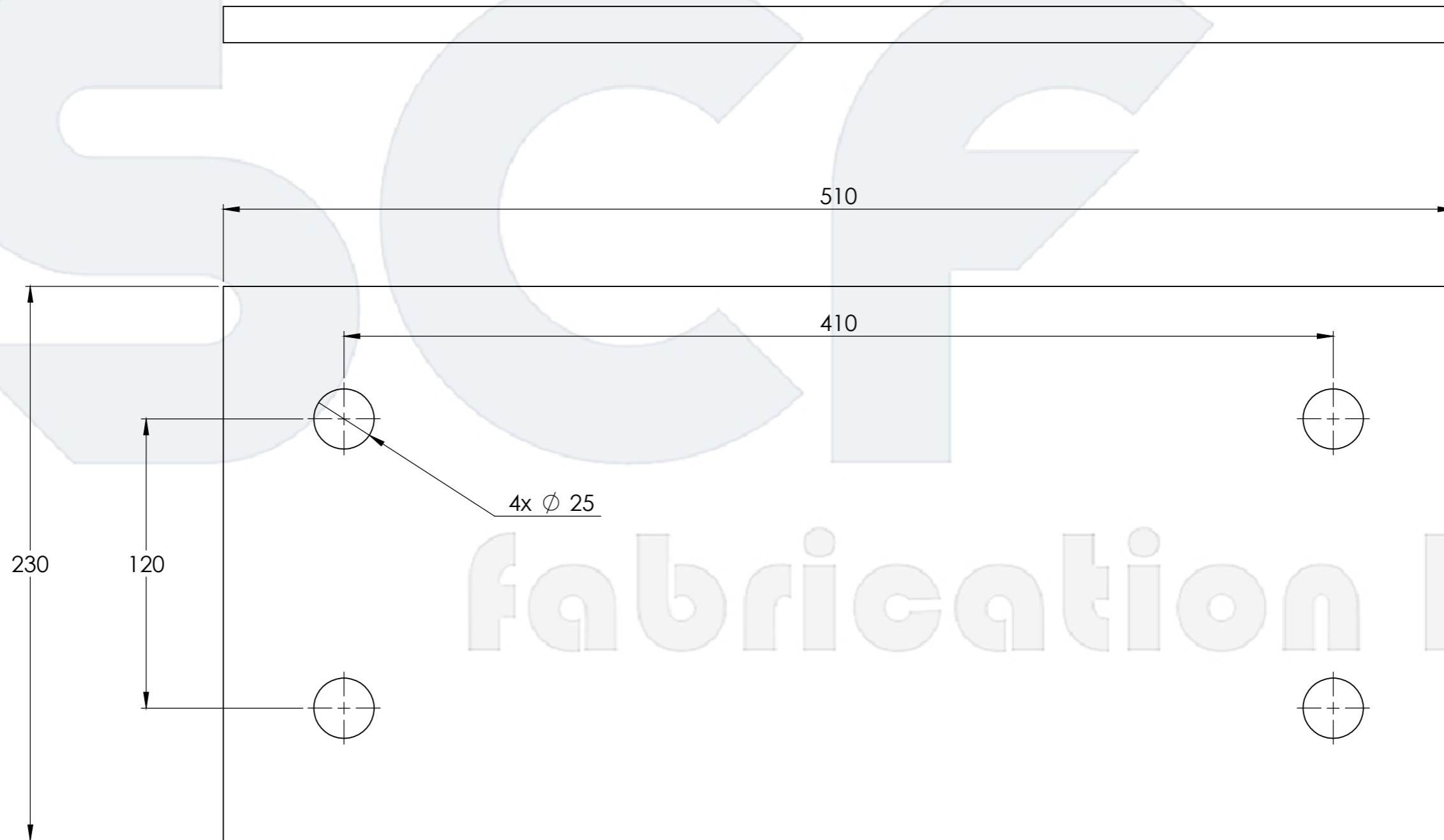
**UNLESS OTHERWISE SPECIFIED:**  
DIMENSIONS ARE IN MILLIMETERS  
MATERIAL: MILD STEEL  
SURFACE FINISH: CLEAN AND DEBURRED  
TOLERANCES:  
LINEAR: ±1.0mm  
ANGULAR: ±1.0° DEGREES

SCF FABRICATION LTD  
BROMPTON | DULVERTON | SOMERSET  
TA22 9NZ | +44 (0) 1398 371347  
www.scf-fabrication.com

FIRST ANGLE PROJECTION		
DRAWN	BY	DATE
CHECKED	SC	07FEB19
APPROVED	SC	07FEB19

TITLE		
<b>20 60 12 - Site Drawing</b>		
DRAWN BY	REVISION	NOT TO SCALE
damienfieldhouse@gmail.com	1	
© SCF FABRICATION LTD 2019		SHEET 2 OF 4

# Base Plate



UNLESS OTHERWISE SPECIFIED:  
 DIMENSIONS ARE IN MILLIMETERS  
 MATERIAL: MILD STEEL  
 SURFACE FINISH: CLEAN AND DEBURRED  
 TOLERANCES:  
 LINEAR: ±1.0mm  
 ANGULAR: ±1.0° DEGREES

SCF FABRICATION LTD  
 BROMPTON | DULVERTON | SOMERSET  
 TA22 9NZ | +44 (0) 1398 371347  
 www.scf-fabrication.com

FIRST ANGLE PROJECTION



	BY	DATE
DRAWN	DJF	07FEB19
CHECKED	SC	07FEB19
APPROVED	SC	07FEB19

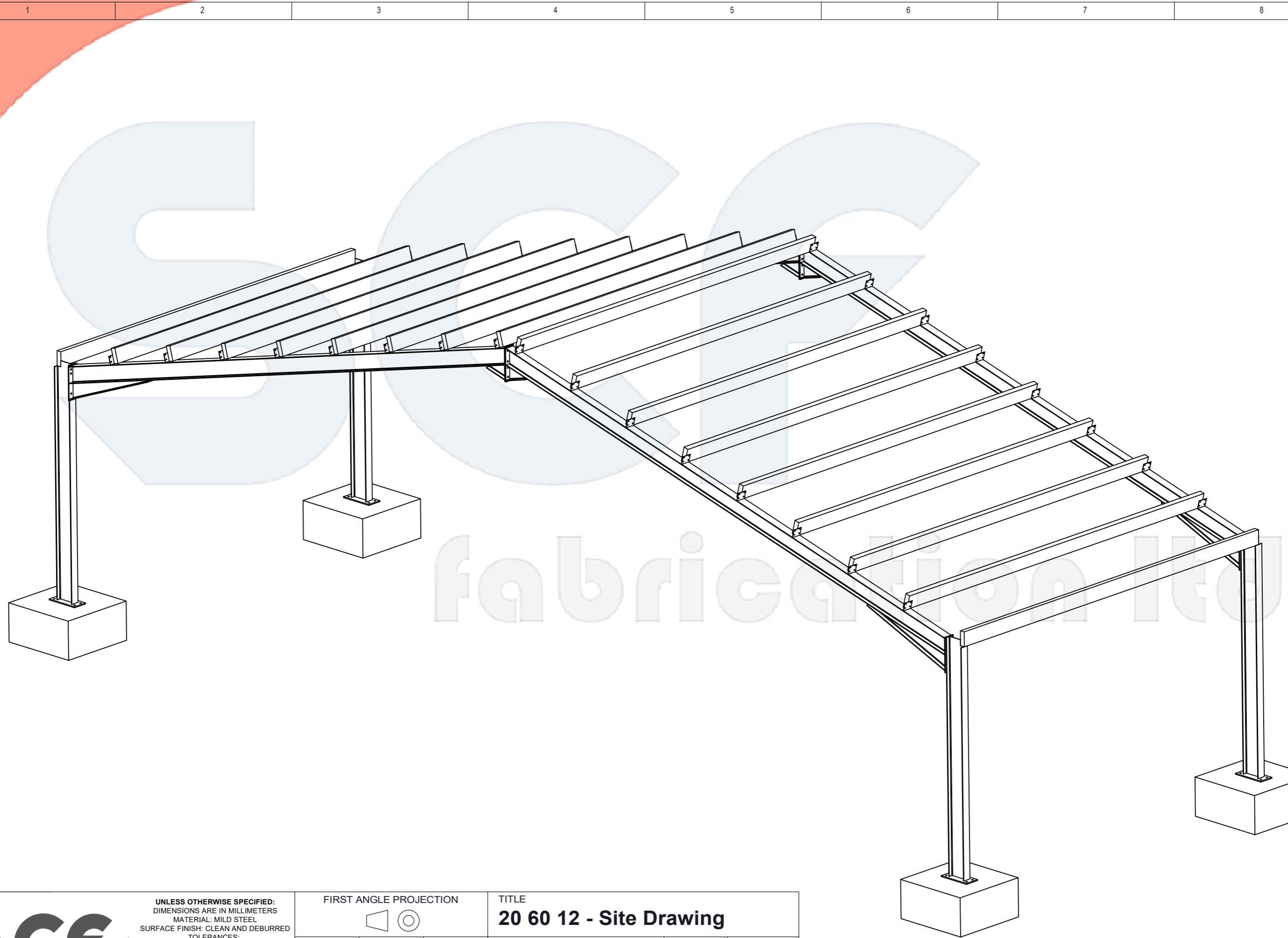
TITLE

**20 60 12 - Site Drawing**

DRAWN BY	REVISION	NOT TO SCALE
damienfieldhouse@gmail.com	1	

© SCF FABRICATION LTD 2019

SHEET 3 OF 4



UNLESS OTHERWISE SPECIFIED:  
 DIMENSIONS ARE IN MILLIMETERS  
 MATERIAL: MILD STEEL  
 SURFACE FINISH: CLEAN AND DEBURRED  
 TOLERANCES:  
 LINEAR: ±1.0mm  
 ANGULAR: ±1.0° DEGREES

SCF FABRICATION LTD  
 BROMPTON | DULVERTON | SOMERSET  
 TA22 9NZ | +44 (0) 1398 371347  
 www.scf-fabrication.com

FIRST ANGLE PROJECTION		
	BY	DATE
DRAWN	DJF	07FEB19
CHECKED	SC	07FEB19
APPROVED	SC	07FEB19

TITLE		
<b>20 60 12 - Site Drawing</b>		
DRAWN BY	REVISION	NOT TO SCALE
damienfieldhouse@gmail.com	1	
© SCF FABRICATION LTD 2019		SHEET 4 OF 4