

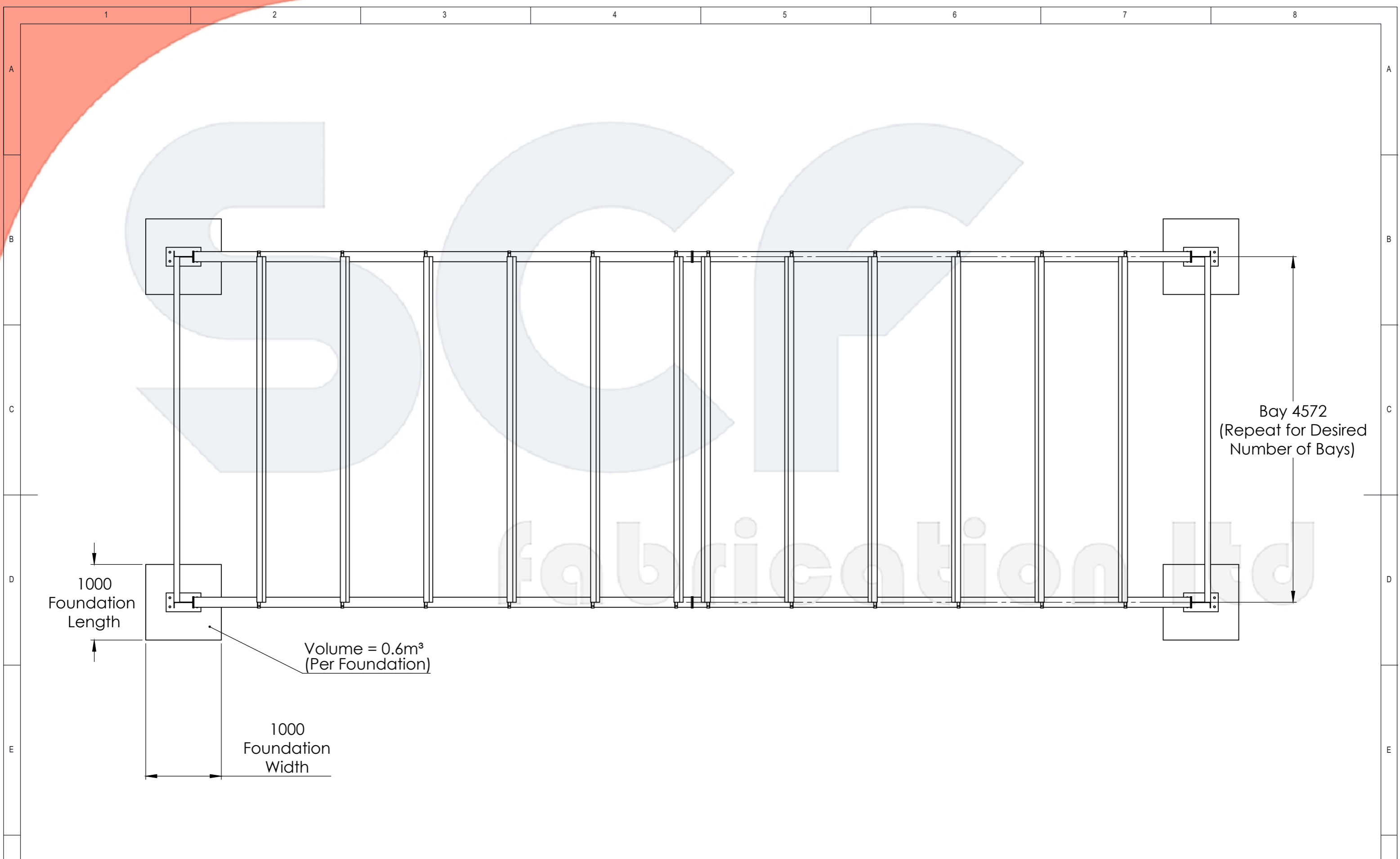
UNLESS OTHERWISE SPECIFIED:
 DIMENSIONS ARE IN MILLIMETERS
 MATERIAL: MILD STEEL
 SURFACE FINISH: CLEAN AND DEBURRED
 TOLERANCES:
 LINEAR: ±1.0mm
 ANGULAR: ±1.0° DEGREES

SCF FABRICATION LTD
 BROMPTON | DULVERTON | SOMERSET
 TA22 9NZ | +44 (0) 1398 371347
 www.scf-fabrication.com

| FIRST ANGLE PROJECTION | | |
|------------------------|-----|---------|
| | | |
| DRAWN | BY | DATE |
| CHECKED | DJF | 07FEB19 |
| APPROVED | SC | 07FEB19 |
| | SC | 07FEB19 |

| TITLE | | |
|--------------------------------|----------|--------------|
| 15 45 15 - Site Drawing | | |
| DRAWN BY | REVISION | NOT TO SCALE |
| damienfieldhouse@gmail.com | 1 | |
| © SCF FABRICATION LTD 2019 | | SHEET 1 OF 4 |

| REVISIONS | | | | | |
|-----------|-------------|-------|---------|---------|----------|
| REV. | DESCRIPTION | DRAWN | CHECKED | DATE | APPROVED |
| 1 | FIRST ISSUE | DJF | SC | 07FEB19 | SC |



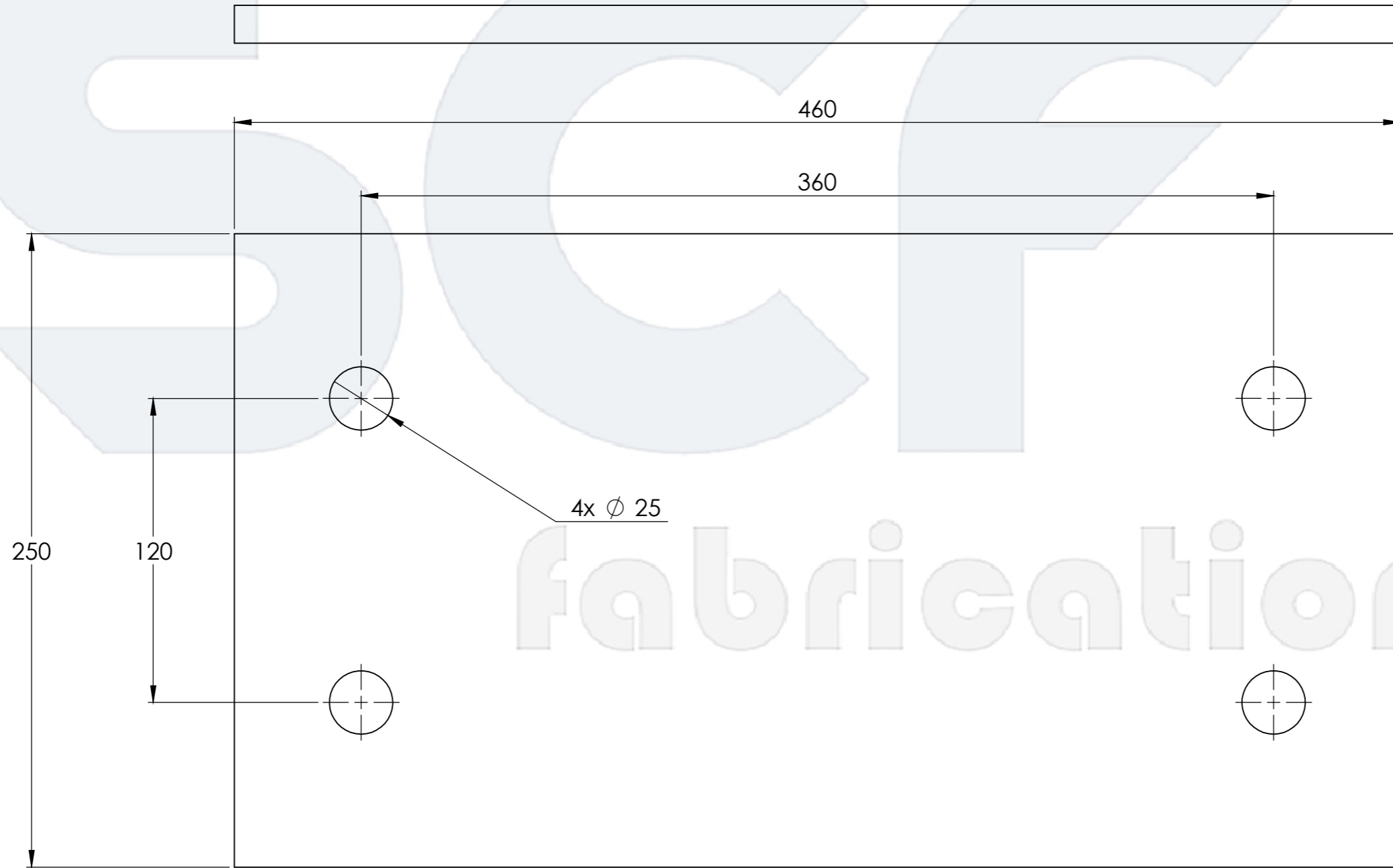
UNLESS OTHERWISE SPECIFIED:
 DIMENSIONS ARE IN MILLIMETERS
 MATERIAL: MILD STEEL
 SURFACE FINISH: CLEAN AND DEBURRED
 TOLERANCES:
 LINEAR: ±1.0mm
 ANGULAR: ±1.0° DEGREES

SCF FABRICATION LTD
 BROMPTON | DULVERTON | SOMERSET
 TA22 9NZ | +44 (0) 1398 371347
 www.scf-fabrication.com

| FIRST ANGLE PROJECTION | | |
|------------------------|-----|---------|
| | BY | DATE |
| DRAWN | DJF | 07FEB19 |
| CHECKED | SC | 07FEB19 |
| APPROVED | SC | 07FEB19 |

| TITLE | | |
|--------------------------------|----------|--------------|
| 15 45 15 - Site Drawing | | |
| DRAWN BY | REVISION | NOT TO SCALE |
| damienfieldhouse@gmail.com | 1 | |
| © SCF FABRICATION LTD 2019 | | SHEET 2 OF 4 |

Base Plate



4x ϕ 25

250

120

460

360

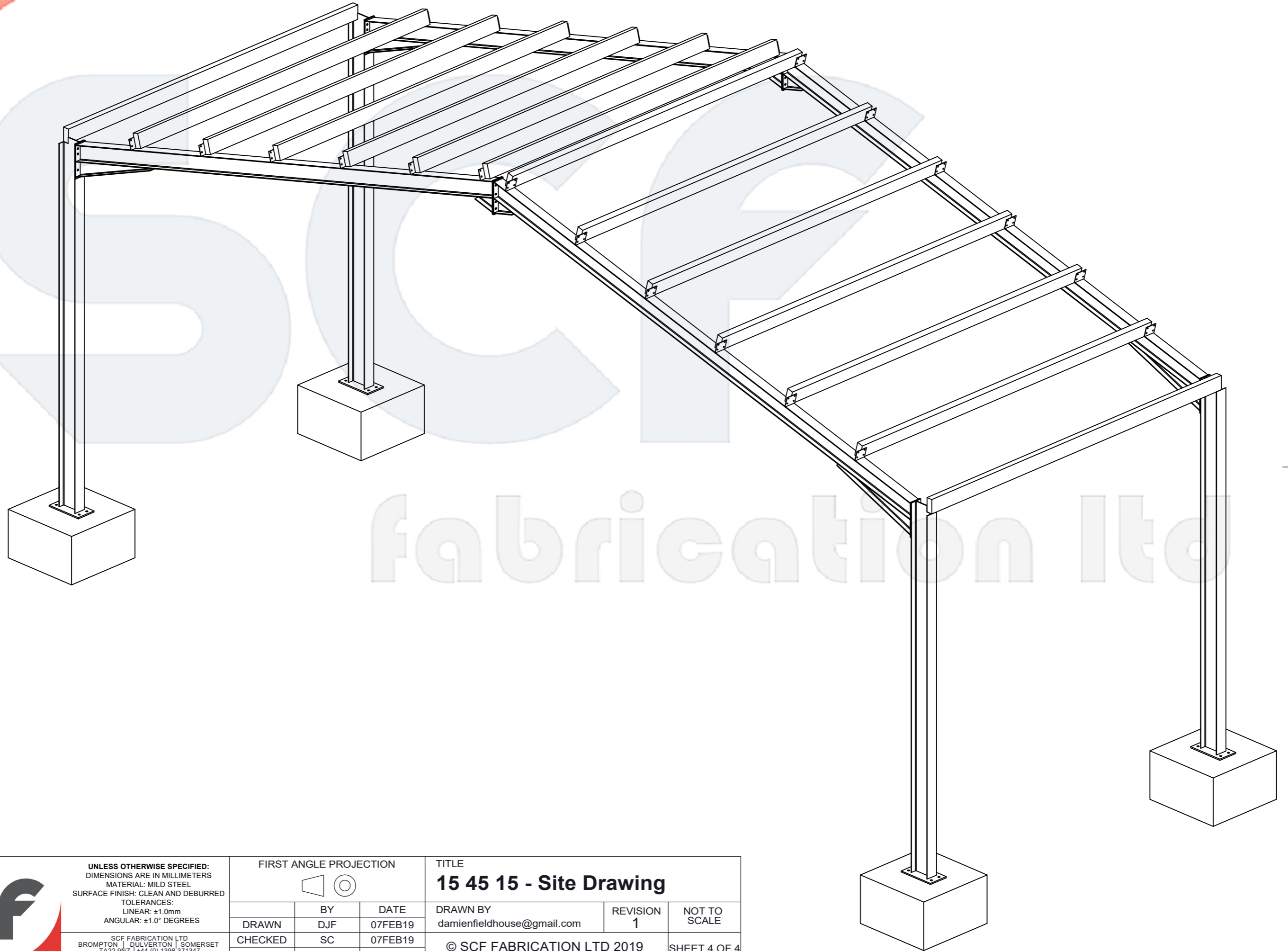


UNLESS OTHERWISE SPECIFIED:
 DIMENSIONS ARE IN MILLIMETERS
 MATERIAL: MILD STEEL
 SURFACE FINISH: CLEAN AND DEBURRED
 TOLERANCES:
 LINEAR: $\pm 1.0\text{mm}$
 ANGULAR: $\pm 1.0^\circ$ DEGREES

SCF FABRICATION LTD
 BROMPTON | DULVERTON | SOMERSET
 TA22 9NZ | +44 (0) 1398 371347
 www.scf-fabrication.com

| FIRST ANGLE PROJECTION | | |
|------------------------|-----|---------|
| | BY | DATE |
| DRAWN | DJF | 07FEB19 |
| CHECKED | SC | 07FEB19 |
| APPROVED | SC | 07FEB19 |

| TITLE | | |
|--------------------------------|----------|--------------|
| 15 45 15 - Site Drawing | | |
| DRAWN BY | REVISION | NOT TO SCALE |
| damienfieldhouse@gmail.com | 1 | |
| © SCF FABRICATION LTD 2019 | | SHEET 3 OF 4 |



UNLESS OTHERWISE SPECIFIED:
 DIMENSIONS ARE IN MILLIMETERS
 MATERIAL: MILD STEEL
 SURFACE FINISH: CLEAN AND DEBURRED
 TOLERANCES:
 LINEAR: ±1.0mm
 ANGULAR: ±1.0° DEGREES

SCF FABRICATION LTD
 BROMPTON | DULVERTON | SOMERSET
 TA22 9NZ | +44 (0) 1398 371347
 www.scf-fabrication.com

FIRST ANGLE PROJECTION



| | BY | DATE |
|----------|-----|---------|
| DRAWN | DJF | 07FEB19 |
| CHECKED | SC | 07FEB19 |
| APPROVED | SC | 07FEB19 |

TITLE

15 45 15 - Site Drawing

| DRAWN BY | REVISION | NOT TO SCALE |
|----------------------------|----------|--------------|
| damienfieldhouse@gmail.com | 1 | |

© SCF FABRICATION LTD 2019

SHEET 4 OF 4