

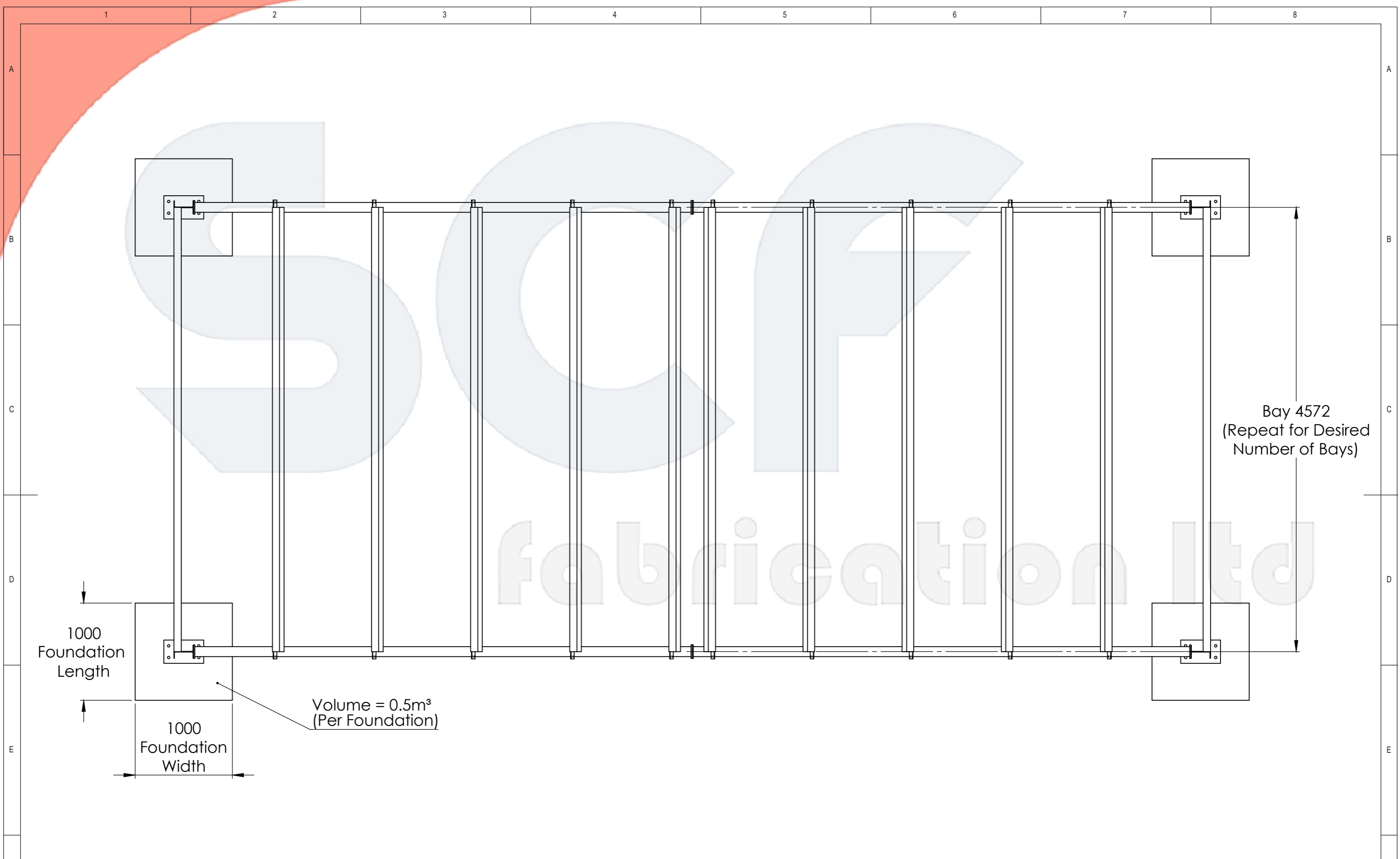
**UNLESS OTHERWISE SPECIFIED:**  
 DIMENSIONS ARE IN MILLIMETERS  
 MATERIAL: MILD STEEL  
 SURFACE FINISH: CLEAN AND DEBURRED  
 TOLERANCES:  
 LINEAR: ±1.0mm  
 ANGULAR: ±1.0° DEGREES

SCF FABRICATION LTD  
 BROMPTON | DULVERTON | SOMERSET  
 TA22 9NZ | +44 (0) 1398 371347  
 www.scf-fabrication.com

FIRST ANGLE PROJECTION		
DRAWN	BY	DATE
CHECKED	SC	07FEB19
APPROVED	SC	07FEB19

TITLE		
<b>15 35 12 - Site Drawing</b>		
DRAWN BY	REVISION	NOT TO SCALE
damienfieldhouse@gmail.com	1	
© SCF FABRICATION LTD 2019		SHEET 1 OF 4

REVISIONS					
REV.	DESCRIPTION	DRAWN	CHECKED	DATE	APPROVED
1	FIRST ISSUE	DJF	SC	07FEB19	SC



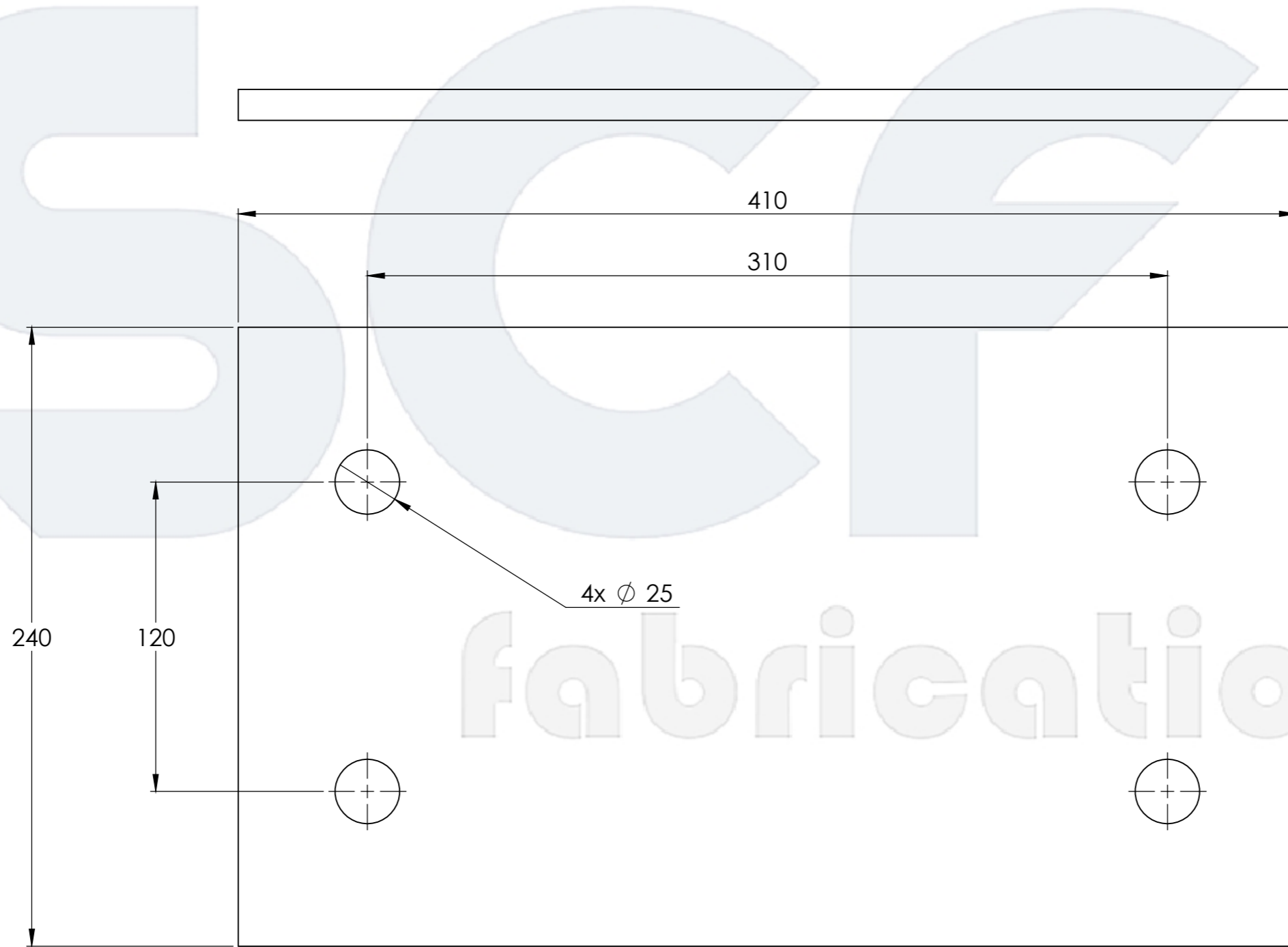
UNLESS OTHERWISE SPECIFIED:  
 DIMENSIONS ARE IN MILLIMETERS  
 MATERIAL: MILD STEEL  
 SURFACE FINISH: CLEAN AND DEBURRED  
 TOLERANCES:  
 LINEAR: ±1.0mm  
 ANGULAR: ±1.0° DEGREES

SCF FABRICATION LTD  
 BROMPTON | DULVERTON | SOMERSET  
 TA22 9NZ | +44 (0) 1398 371347  
 www.scf-fabrication.com

FIRST ANGLE PROJECTION		
	BY	DATE
DRAWN	DJF	07FEB19
CHECKED	SC	07FEB19
APPROVED	SC	07FEB19

TITLE		
<b>15 35 12 - Site Drawing</b>		
DRAWN BY	REVISION	NOT TO SCALE
damienfieldhouse@gmail.com	1	
© SCF FABRICATION LTD 2019		SHEET 2 OF 4

# Base Plate



UNLESS OTHERWISE SPECIFIED:  
 DIMENSIONS ARE IN MILLIMETERS  
 MATERIAL: MILD STEEL  
 SURFACE FINISH: CLEAN AND DEBURRED  
 TOLERANCES:  
 LINEAR: ±1.0mm  
 ANGULAR: ±1.0° DEGREES

SCF FABRICATION LTD  
 BROMPTON | DULVERTON | SOMERSET  
 TA22 9NZ | +44 (0) 1398 371347  
 www.scf-fabrication.com

FIRST ANGLE PROJECTION



	BY	DATE
DRAWN	DJF	07FEB19
CHECKED	SC	07FEB19
APPROVED	SC	07FEB19

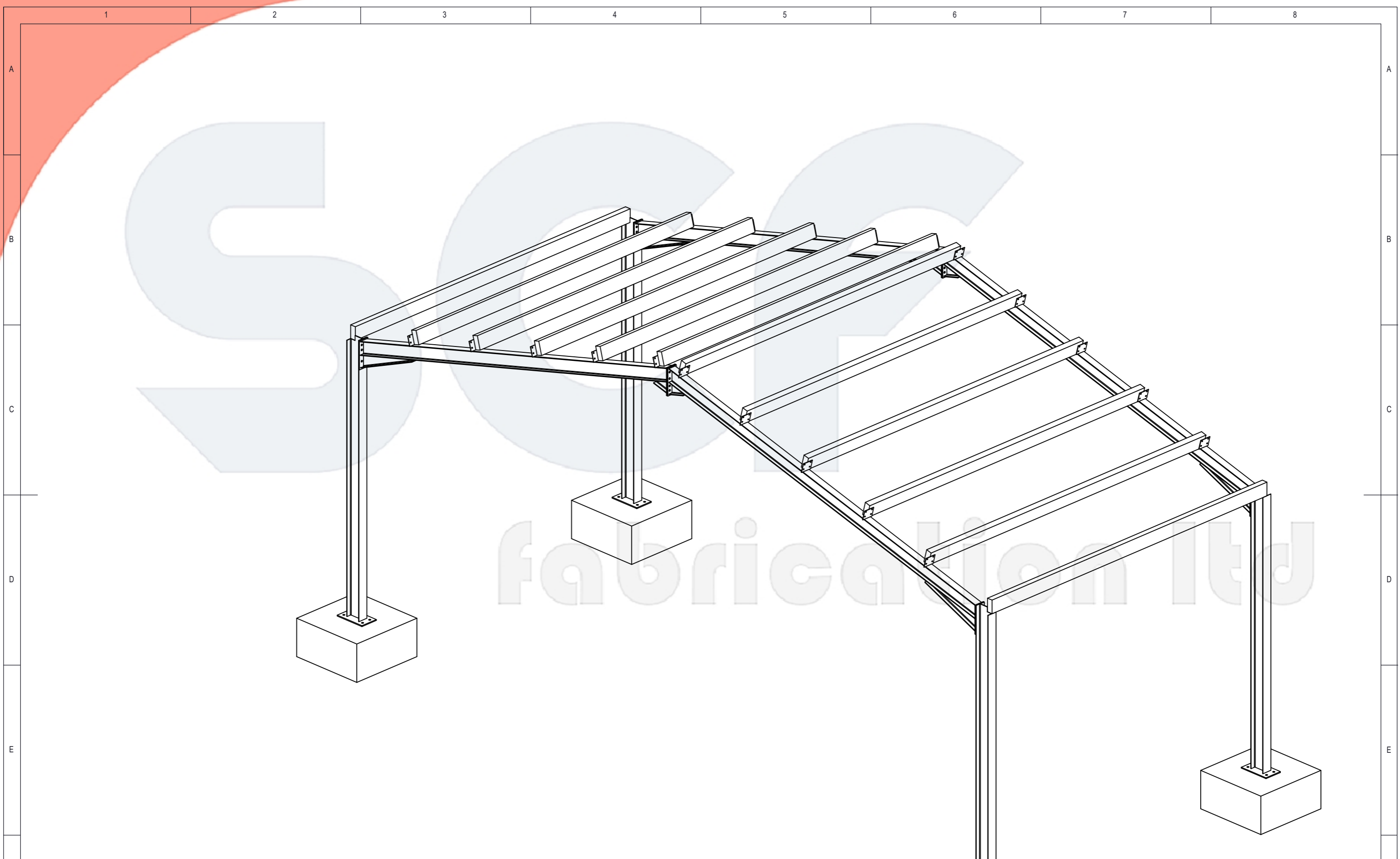
TITLE

**15 35 12 - Site Drawing**

DRAWN BY	REVISION	NOT TO SCALE
damienfieldhouse@gmail.com	1	

© SCF FABRICATION LTD 2019

SHEET 3 OF 4



**UNLESS OTHERWISE SPECIFIED:**  
 DIMENSIONS ARE IN MILLIMETERS  
 MATERIAL: MILD STEEL  
 SURFACE FINISH: CLEAN AND DEBURRED  
 TOLERANCES:  
 LINEAR: ±1.0mm  
 ANGULAR: ±1.0° DEGREES

SCF FABRICATION LTD  
 BROMPTON | DULVERTON | SOMERSET  
 TA22 9NZ | +44 (0) 1398 371347  
 www.scf-fabrication.com

FIRST ANGLE PROJECTION		
	BY	DATE
DRAWN	DJF	07FEB19
CHECKED	SC	07FEB19
APPROVED	SC	07FEB19

TITLE		
<b>15 35 12 - Site Drawing</b>		
DRAWN BY	REVISION	NOT TO SCALE
damienfieldhouse@gmail.com	1	
© SCF FABRICATION LTD 2019		SHEET 4 OF 4